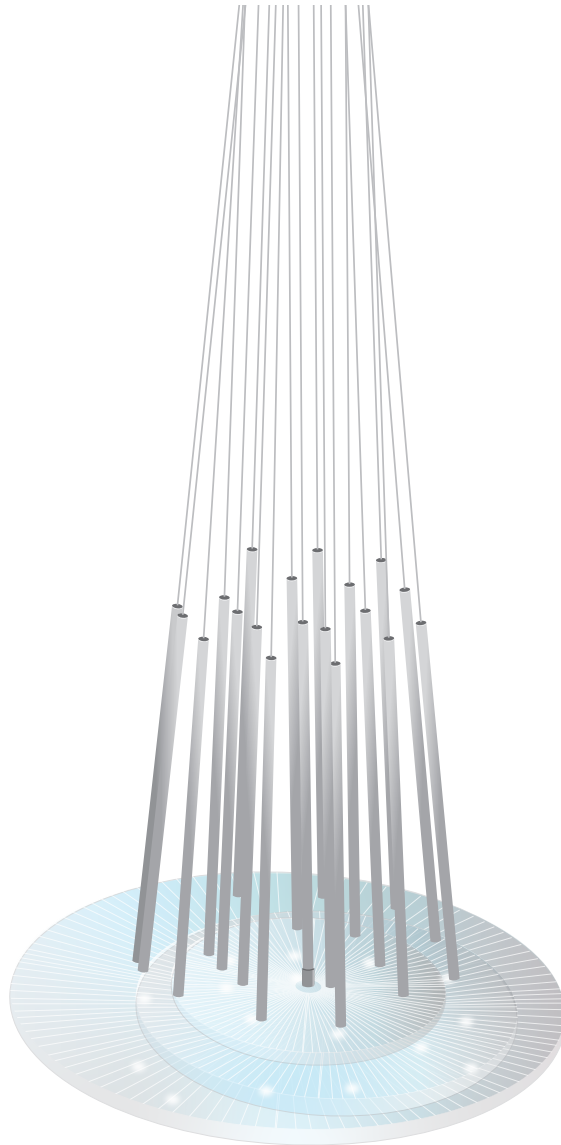


MAREA

by atelier oī, 2020

EDITION

SPECIFICATION



WONDERGLASS

MAREA

by atelier oï

WONDERGLASS

Designed by the Swiss transdisciplinary studio atelier oï, Marea, so named for its reference to the rise and fall of the tide, evokes the impression of light moving through bodies of water. Stacked suspended discs of clear glass feature radial micro grooving along their base, a pattern that when illuminated creates the shimmering reminiscent of a night sky in oceanic reflectance.

Numbered edition.

Marea is sold both as single lighting fixture and as an installation.

For future production, atelier oï will develop a bespoke creative proposal.

MATERIALS

Cast glass

DIMENSIONS

Ø 500 x H 30 MM

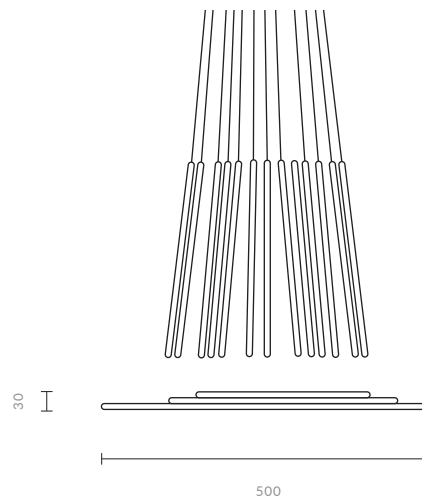
LIGHT FITTING

The lighting system for Marea is developed by atelier oï expressly for Gaïa Collection and is produced by WonderGlass solely for these models.

COLOURS



Aquamarine



Bespoke solutions also available