

# PISTIL

by India Mahdavi, 2019

EDITION  
SPECIFICATION



WONDERGLASS

# PISTIL

by India Mahdavi

---

Inspired by Mahdavi's obsession with flowers, Pistil is a highly stylised piece, perfectly showcasing her iconic flair. The table top is made of a single piece of handmade cast glass. This intensive and highly skilled process gives the table its unique, rippled surface on the underside. As with real flowers, it is perfectly imperfect.

**Limited Edition of 8 units + 2 Prototypes + 2 Artist's Proof**

## MATERIALS

**Top Table** | Handmade Cast Glass

**Base** | Metal

## COLOURS

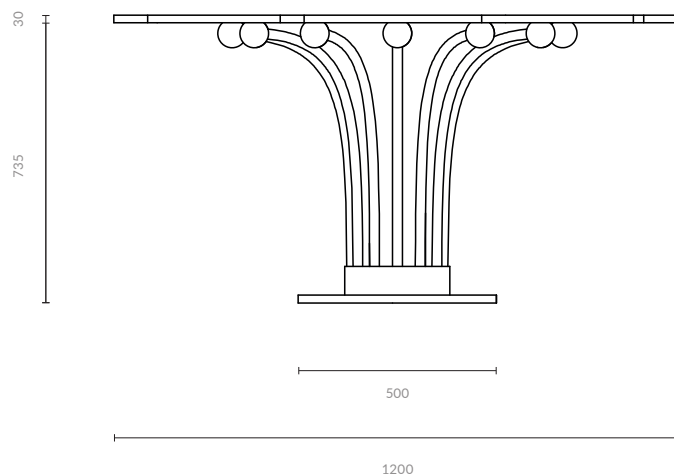
**Top Table** | Light Amber

**Base** | Brushed Brass

## DIMENSIONS

**Top Table** | Ø 1200 x H 30 MM | 85 Kg

**Base** | Ø 800 x H 225 MM



Bespoke solutions also available  
[wonderglass.com](http://wonderglass.com)