

THROUGH THE CLOUDS

by Fornasetti, 2014

COLLECTION

SPECIFICATION



WONDERGLASS

THROUGH THE CLOUDS

by Fornasetti, 2014

“Through the Clouds”, designed by iconic Italian decorative Atelier Fornasetti for WonderGlass, takes inspiration from a daydream. Delicate glass clouds float above the viewer, suggesting a different point of view. Obelisks protrude from the clouds, a nod to the ancient Egyptians who worshipped the obelisk as a symbol of ‘Ra’ the sun god, creator and giver of all life. Produced by hand, “Through the Clouds” blends printed and lacquered metal with blown glass; the whimsical design and fine nature of the work awakening the love of glass that has been embedded within the Fornasetti DNA since the 1940s, demonstrating both Fornasetti and WonderGlass’ artisanal approach and dedication to craftsmanship.

MANUFACTURING TECHNIQUE

Blown Glass

DIMENSIONS

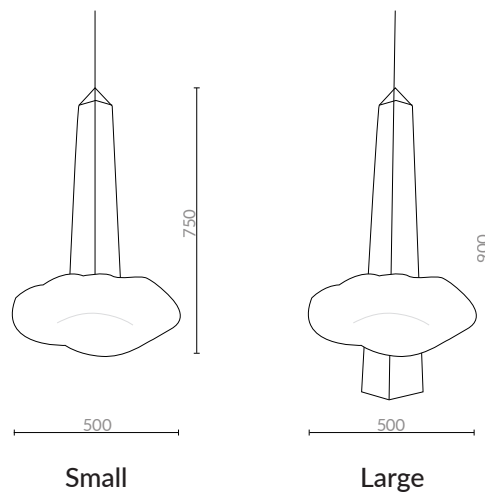
Small | Ø 500 x H 750 mm | 2 Kg

Large | Ø 500 x H 900 mm | 3 Kg

COLOURS

Obelisk | Malachite | Marbalia

Cloud | Frosted White



Bespoke solutions also available
wonderglass.com