

FLOW[T]

by Nao Tamura



BIOGRAPHY

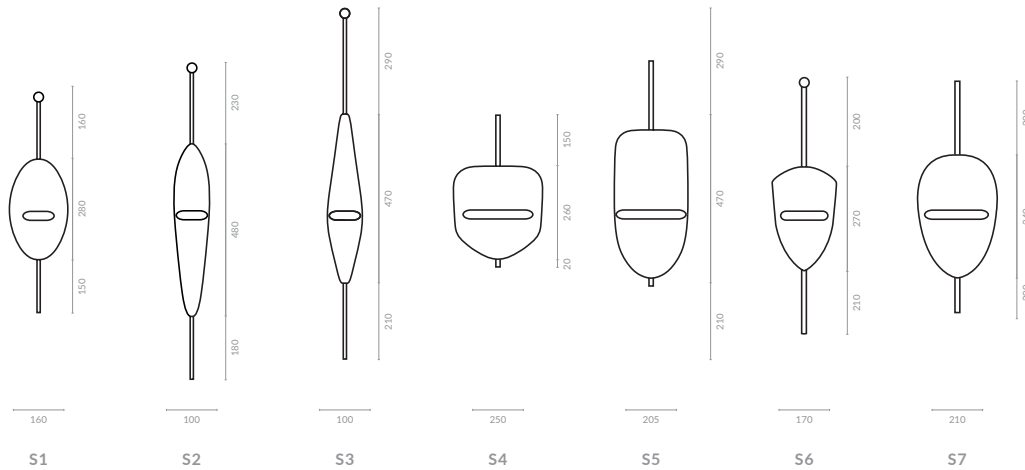
Nao Tamura is a designer in the most modern terms. Her talents cross-over cultures, languages, disciplines, concepts and styles with consistency of smart thinking always at the heart of her work. She is truly global in her insights and execution. As a product of Tokyo and New York City creative communities. Nao defies the kind of categorization that the industry status-quo often insists upon. Her unique solutions are more than simply design and possess a rare balance of innovation and beauty. She is truly global in her insights and execution.

CONCEPT

The reflections of the Venetian cityscape glistening the evening water hints at an imaginary city below the moving surface. There is a border between the world under and the land above. In the city of Venice, where the real world and fantasy coexists, this chandelier is the embodiment of the beauty of dual worlds.

Flow[T] is a contemporary chandelier inspired by the colours of the Venetian lagoon and customized to the desires of each owner. Each piece enjoys its own shape, and in multiples, they create a sculptural display of lighting.

		MATERIAL	COLOUR	FINISH
COLLECTION	MODULE	Blown Glass	Green / Turquoise White	-
	ROD	Aluminium	Black	Powder Coated
NIGHT FLOW[T] LIMITED EDITION	MODULE	Blown Glass	Grey	-
	ROD	Aluminium	Black	Powder Coated
	TIP	Ceramic	Black	Lacquered



	DIMENSIONS	WEIGHT	LIGHT FITTING
S1	Ø 160 × H 590 MM + TOP Ø 30 MM	2 KG	18× SMD LED, MAX 8W, 24V DC, 3000K CRI > 90, 600 LM
S2	Ø 100 × H 890 MM + TOP Ø 30 MM	1.5 KG	
S3	Ø 100 × H 970 MM + TOP Ø 30 MM	1.5 KG	
S6	Ø 170 × H 680 MM + TOP Ø 30 MM	2 KG	
S4	Ø 250 × H 430 MM	3 KG	30× SMD LED, MAX 12W, 24V DC, 3000K CRI > 90, 1000 LM
S5	Ø 205 × H 640 MM	3.5 KG	
S7	Ø 210 × H 740 MM	3 KG	

PACKAGING

W 1100 × D 350 × H 350MM, 5 KG

100-240V AC INPUT (ref. MINI JOLLY)

50/60HZ, dimmable 1/10V or PUSH

Bespoke solutions for clusters